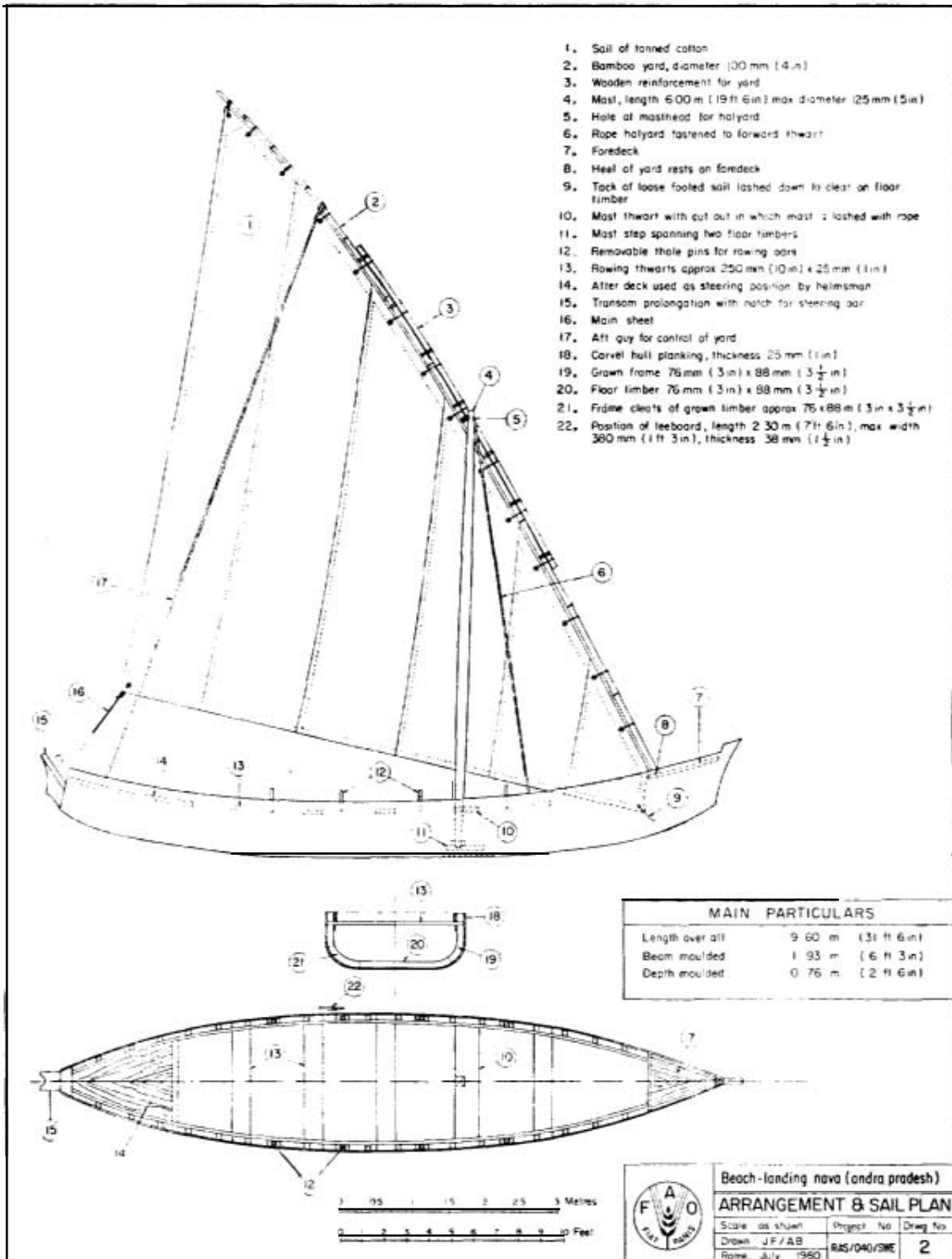
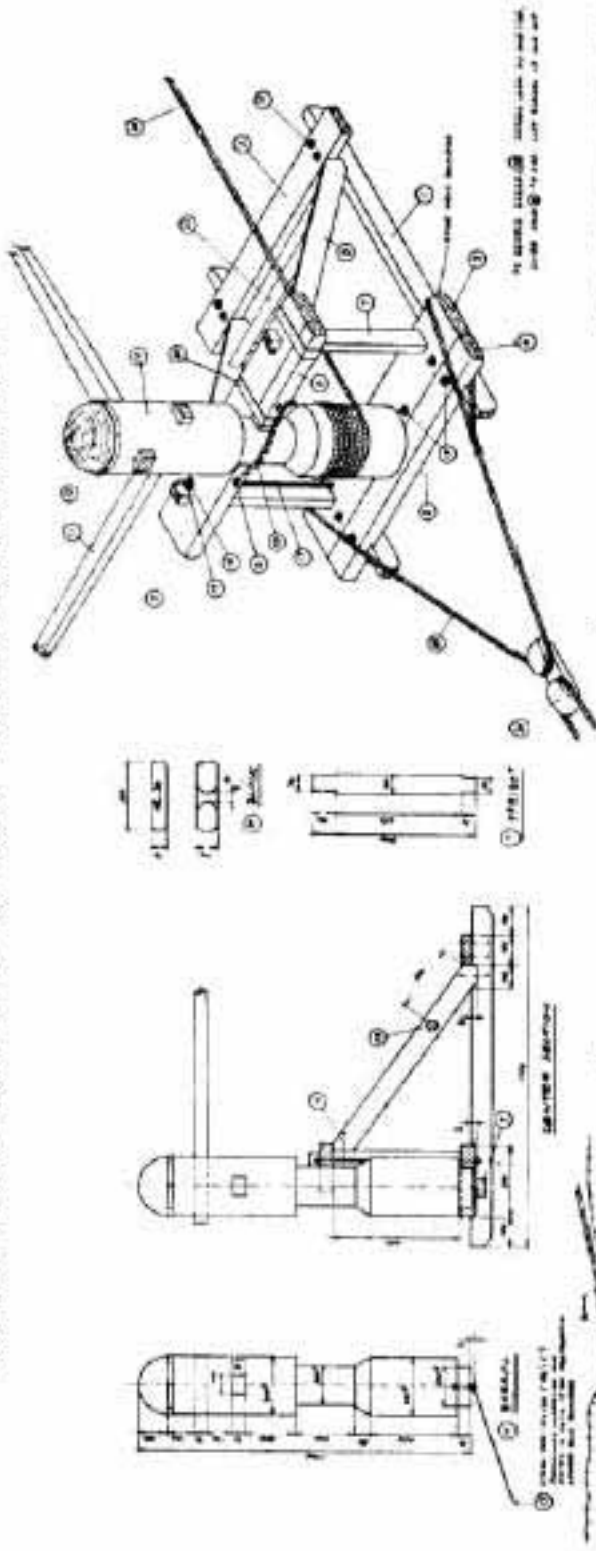


APPENDIX. 5. GENERAL ARRANGEMENT OF ANDHRA PRADESH NAVA



APPENDIX B. GENERAL ARRANGEMENT OF THE CAPSTAN USED DURING BEACHLANDING (IND-12)



ITEM NO.	DESCRIPTION	QTY.	REMARKS
1	DRUM	1	
2	HANDLE	2	
3	GEAR	1	
4	LEVER	1	
5	SCREW	1	
6	WASHER	1	
7	ROPE	1	
8	ANCHOR	1	
9	WHEEL	1	
10	AXLE	1	
11	BEARING	2	
12	SCREW	1	
13	WASHER	1	
14	ROPE	1	
15	ANCHOR	1	
16	WHEEL	1	
17	AXLE	1	
18	BEARING	2	
19	SCREW	1	
20	WASHER	1	

C A P S T A N

WEIGHT: APPROX. 200 LBS. (90 KG.)

CLASS: 1-10

SCALE: 1/4"

DATE: IND-12

REV: 1

